



**"THE INCH"
RESIDENTIAL
AUTOMATIC SPRINKLERS
MODEL GL4906
ONE INCH ADJUSTABLE
FLAT PLATE CONCEALED PENDENT**

DESCRIPTION AND OPERATION

The Globe Model GL4906 Residential One Inch Adjustable Concealed Pendent Sprinkler has a flat plate profile that utilizes a 3mm frangible glass ampule as the thermosensitive element. It features economy, aesthetics and the lowest allowable water flow with a nominal 1" of adjustment for easier installation. The combination of the 3mm frangible glass ampule and specially designed deflector make the Model GL4906 the ultimate in life safety and fire control. It has met the strict requirements of Underwriters Laboratories Inc. as described in UL Standard, 1626, for Residential Sprinklers for Fire Protection Service, and should be used accordingly. This sprinkler should also be installed in accordance with the appropriate NFPA Standard 13, 13D or 13R and under the direction of the approving authorities having jurisdiction.

All that is seen at the ceiling is the 3 5/16" diameter flat ceiling plate color finished to match the specifier's exact requirements. The ceiling plate is soldered to the sprinkler's special upper support assembly in three places. Upon the application of sufficient heat, the plate falls to the floor exposing the residential pendent spray sprinkler. At the prescribed temperature the internal pressure within the ampule exceeds the strength of the glass causing the glass bulb to shatter. This results in water discharge which is distributed in an approved pattern.

TECHNICAL DATA

- See reverse side for Approvals and Specifications.
- Temperature Rating: 155°F (68°C)
- Water Working Pressure Rating: 175 psi (12 Bars)
- Factory tested hydrostatically to 500 psi (34 Bars)
- Maximum low temperature glass bulb rating: -67°F (-55°C)
- Frame - bronze • Deflector - brass • Screw - brass
- Bulb seat - copper • Spring - nickel alloy • Seal - teflon
- Bulb - glass with alcohol based solution, 3mm size
- Cover Plate - brass
- Upper Escutcheon Assembly - steel



**RESIDENTIAL
FLAT PLATE
CONCEALED PENDENT**

• SPRINKLER TEMPERATURE RATING/CLASSIFICATION and COLOR CODING

CLASSIFICATION	AVAILABLE SPRINKLER TEMPERATURES	BULB COLOR	N.F.P.A. MAXIMUM CEILING TEMPERATURE
ORDINARY	155°F 68°C	RED	100°F 38°C

RESIDENTIAL

AUTOMATIC SPRINKLERS MODEL GL4906 ONE INCH ADJUSTABLE FLAT PLATE CONCEALED PENDENT

SPECIFICATIONS AND APPROVALS

SIN MODEL	NOMINAL "K" FACTOR	THREAD SIZE	LENGTH	FINISHES	155°F (68°C) SPRINKLER WITH 135°F (57°C) PLATE	cULus
GL4906	4.9 (68 metric)	1/2" NPT	3" (7.6 cm)	Bright Chrome White Painted Bright Brass* Satin Chrome* Other Painted Finishes*	X	X

NOTE: METRIC CONVERSIONS ARE APPROXIMATE.

*FINISHES AVAILABLE ON SPECIAL ORDER. FOR PAINTED PLATES OTHER THAN WHITE, CONTACT GLOBE FOR ORDERING SPECIFICATIONS.

INSTALLATION DATA ONE INCH ADJUSTABLE FLAT PLATE CONCEALED PENDENT

MODEL	MAXIMUM AREA OF COVERAGE	MINIMUM WATER DISCHARGE & PRESSURES NEEDED PER SPRINKLER*
GL4906	12' x 12'	13 G.P.M. - 7 P.S.I.
	14' x 14'	13 G.P.M. - 7 P.S.I.
	16' x 16'	13 G.P.M. - 7 P.S.I.
	18' x 18'	17 G.P.M. - 12 P.S.I.
	20' x 20'	20 G.P.M. - 16.7 P.S.I.

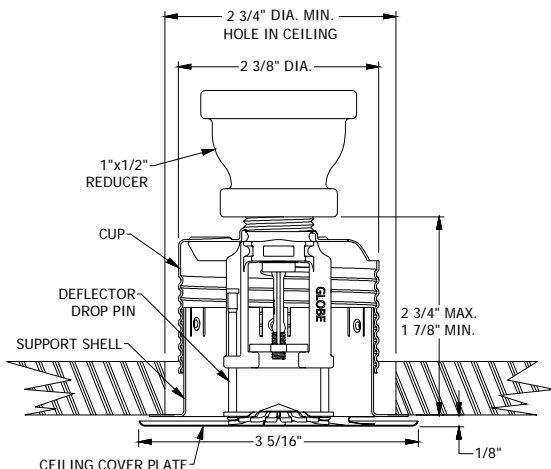
NOTE: MINIMUM 9' SPRINKLER SPACING.

*WHEN THESE SPRINKLERS ARE USED IN NFPA 13 SYSTEMS, A 0.1 DESIGN DENSITY MINIMUM SHALL BE UTILIZED.

ORDERING INFORMATION SPECIFY

- Quantity • Model Number • Style
- Orifice • Temperature • Finishes desired
- Quantity - Concealed Wrenches - P/N 332765
- Quantity - Protective Caps - P/N 332868

CROSS SECTION



FLAT PLATE
CONCEALED PENDENT

COVER PLATE SIZE	WHITE 135°F PART #	CHROME 135°F PART #
3 5/16"	332892	332891

GLOBE® PRODUCT WARRANTY

Globe agrees to repair or replace any of its own manufactured products found to be defective in material or workmanship for a period of one year from date of shipment.

For specific details of our warranty please refer to Price List Terms and Conditions of Sale (Our Price List).



JANUARY 2011

4077 AIRPARK DRIVE, STANDISH, MICHIGAN 48658

989-846-4583

1-800-248-0278

FAX 989-846-9231

www.globesprinkler.com

PRINTED U.S.A.

BULLETIN GL4906