



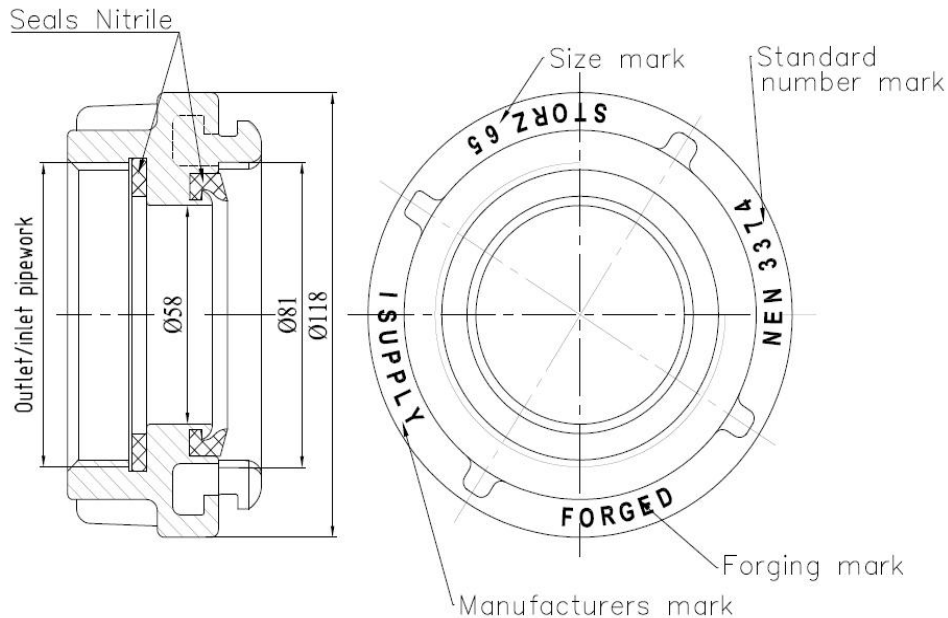
FORGED STORZ ADAPTORS

Premium Quality Supreme Strength & Corrosion resistance

All Comply with AS 2419.2-2009 & NEN 3374



Stock Code	Storz Size(mm)	Lug Spacing(mm)	Thread Type
ISP-STORZ-NSWF	65	81	65mm NSW Female
ISP-STORZ-NSWM	65	81	65mm NSW Male
ISP-STORZ-CFA	65	81	65mm CFA Female
ISP-STORZ-MFB	65	81	65mm MFB Female
ISP-STORZ-QRT	65	81	65mm QRT Female
ISP-STORZ-SART	65	81	65mm SART Female
ISP-STORZ-BSP	65	81	65mm BSP Female
Material - Body	High Strength Aluminium Alloy		
- Seals Nitrile	NBR Rubber		
Working Pressure	1,400 kPa		
Test Pressure	2700 kPa		
Working Temperature	-10°C ~ 85°C		
Standard Approval	AS 2419.2 & NEN 3374		



NOTE: NSWFB & MFB Require Storz Adaptors to comply with 2419.2 - 2009 MUST BE FORGED NOT CAST

Also available with

Blank Caps Alloy/Poly UV treated



Distributed by:



1300 353 353